



INDOOR POST INSULATOR

BBI 130 / BBI 145

Up to 12kV



BBI 130-A

BBI130-B / C

BBI 145

Application

For use in indoor standoff installations.

Design

Moulded hydrophobic cycloaliphatic epoxy (polymeric) resin insulators with top and bottom encapsulated brass inserts.

Standards

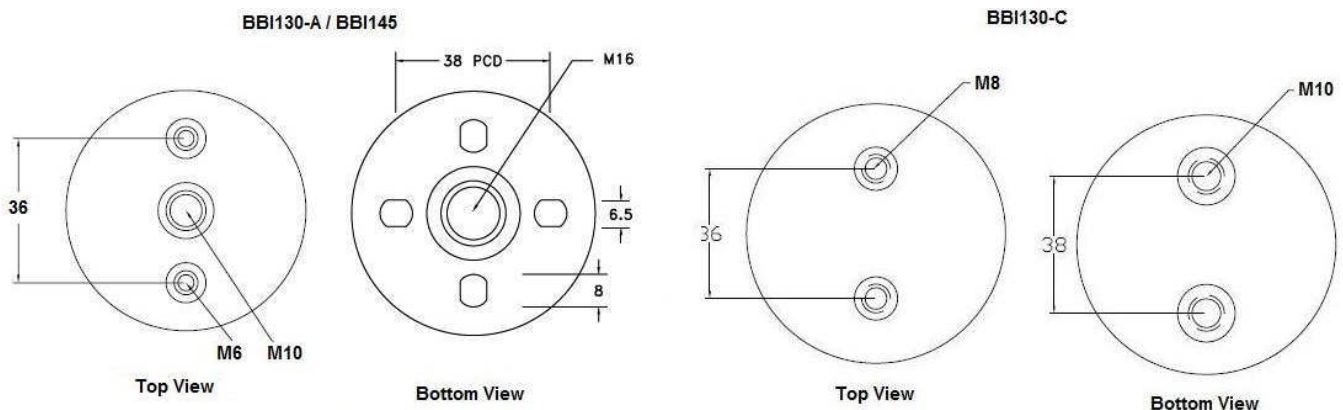
EMC Pacific station post insulators meet the Polymeric Resin Insulator requirements of IEC & AS 62217 and the relevant requirements of AS 4398 and IEC 60168.

Quality

Each insulator is put through stringent quality assurance in line with the EMC Pacific ISO9001 Quality Management System.

Manufactured in Australia by EMC Pacific Pty Ltd, Dandenong, Victoria.

Specification and product design are subject to change without notice. All Information is accurate at time of printing.



Specification

Part #	Max System Voltage (kV)	Std Inserts (Ømm)		Dimensions (mm)		Electrical Withstand		Mechanical Withstand	
		Top	Bottom	Diameter	Height	Impulse (kV)	PF -1min (kV)	Cantilever (kN)	Torsion (Nm)
BBI 130-A	12	6,10,6	16	60	130	75	28	6	100
BBI 130-B	12	10,16,10	20	72	130	75	28	10	100
BBI130-C	12	8,8	10,10	72	130	75	28	10	100
BBI 145	12	6,10,6	16	60	145	75	28	6	100