



## INDOOR POST INSULATOR

**BBI 300**

Up to 36kV



### Application

For use in indoor standoff installations.

### Design

Moulded epoxy or cycloaliphatic epoxy (polymeric) resin insulators with top and bottom encapsulated brass inserts.

### Standards

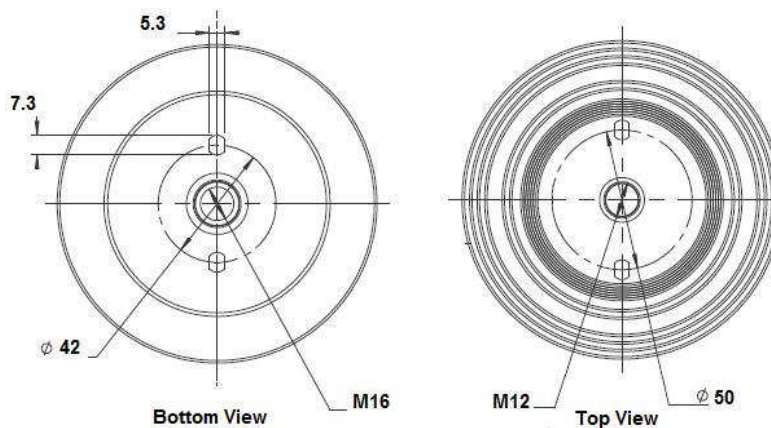
EMC Pacific station post insulators meet the Polymeric Resin Insulator requirements of IEC & AS 62217 and the relevant requirements of AS 4398 and IEC 60168.

### Quality

Each insulator is put through stringent quality assurance in line with the EMC Pacific ISO9001 Quality Management System.

Manufactured for EMC Pacific Pty Ltd by Electrical Moulded Components (Pty) Ltd. Import lead times may apply

Specification and product design are subject to change without notice. All Information is accurate at time of printing.



### Specification

Part #	Max System Voltage (kV)	Std Inserts (Ømm)		Dimensions (mm)		Electrical Withstand		Mechanical Withstand	
		Top	Bottom	Diameter	Height	Impulse (kV)	PF -1min (kV)	Cantilever (kN)	Torsion (Nm)
BBI 300*	36	12	16	114	300	200	70	4	100