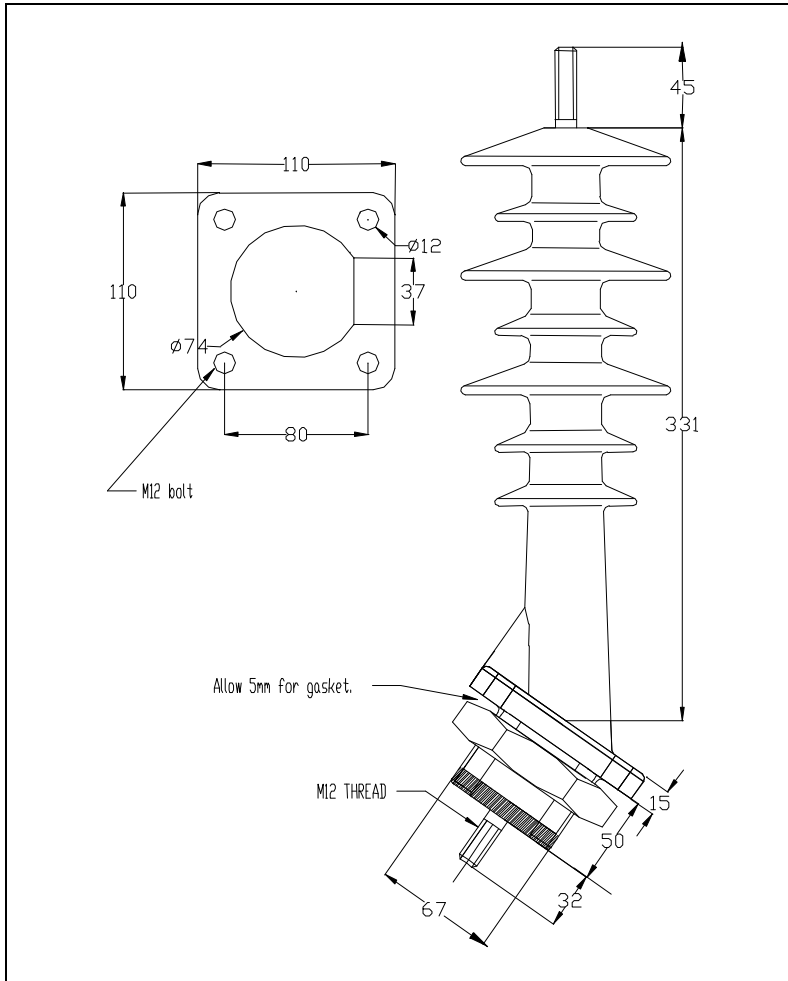




OFFSET TRANSFORMER BUSHING 30TBS SERIES

Up to 12kV – 50A



Application

For use in equipment insulated with oil fluid, typically transformers.

Design

Moulded PH-CEP* hydrophobic cycloaliphatic epoxy insulated part with a brass conductor. Features either locknut or bolted mounting.

Standards

EMCP bushings meet the characteristics of AS1265, 1990 and relevant IEC standards.

Quality

Each bushing is put through stringent quality assurance in line with the EMC Pacific ISO9001 Quality Management System.

Ordering instructions

Bushings are supplied with a choice of palm or stud primary connections. These are to be specified at order time.

Manufactured in Australia by EMC Pacific Pty Ltd, Dandenong, Victoria.

Specification and product design are subject to change without notice. All Information is accurate at time of printing.

Specification

*Permanent Hydrophobic Cycloaliphatic Epoxy Resin (patent applied)

Product No	30TBS – 12/50
Highest Voltage for Equipment (kV)	12 kV
Line Voltage (kV)	11 kV
Max Current Rating (A)	50A
Impulse Withstand Voltage (kV)	95 kV
Dry Power Frequency Withstand Voltage (kV)	32 kV
Wet Power Frequency Withstand Voltage (kV)	28 kV
Creepage	576mm
Weight	2.7 kg