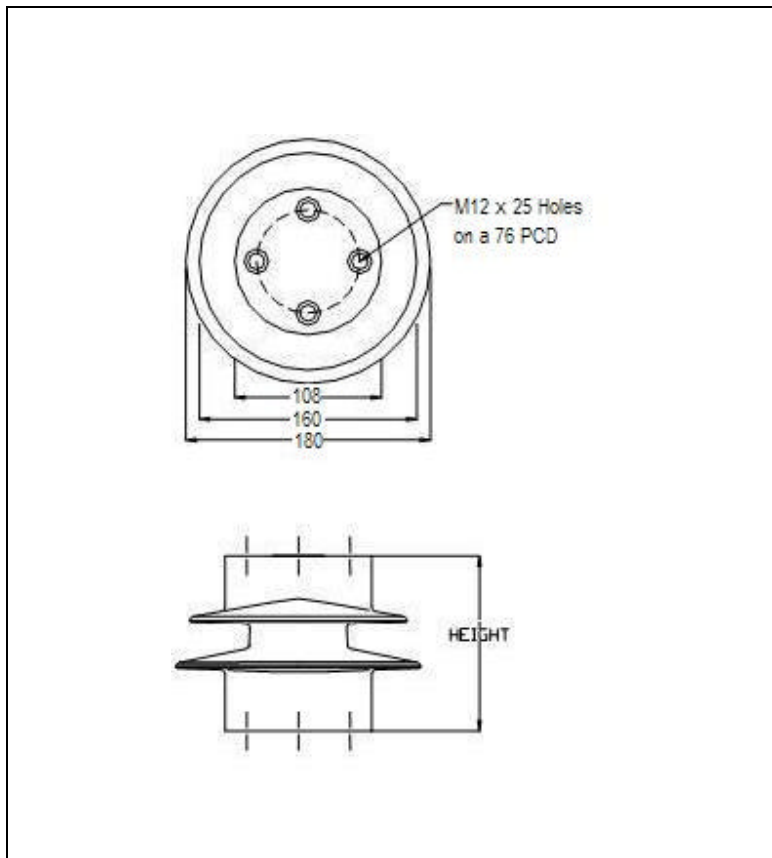


POST INSULATOR

SPI-MS-130

1500 V DC



Application

For use in indoor post insulator installations. i.e switchgear, or busbar installations.

Design

Moulded cycloaliphatic epoxy resin insulator designed for a service life of 30 years in normal atmospheric conditions.

Standards

EMCP insulators meet the characteristics of AS4398.1, 1996 and relevant IEC standards.

Quality

Each insulator is put through the EMCP, ISO9001 quality checks, for finish, appearance, etc...

Ordering instructions

Insulators are supplied with any combination of top and bottom insert in either brass or steel. Standard sizes are M10, M12. **This is to be specified at order time.**

Specification and product design are subject to change without notice. All information is accurate at time of printing.

Specification

Product No	SPI-MS-130
Line Voltage (kV)	1500 V DC
Impulse Withstand Voltage (kV)	50 kV
Wet Power Frequency Withstand Voltage (kV)	16.0 kV
Height (mm)	130 mm
Dry Arc Distance (mm)	150 mm
Creepage (mm)	257 mm
Cantilever (kN)	8 kN
Weight (kg)	1.8 kg