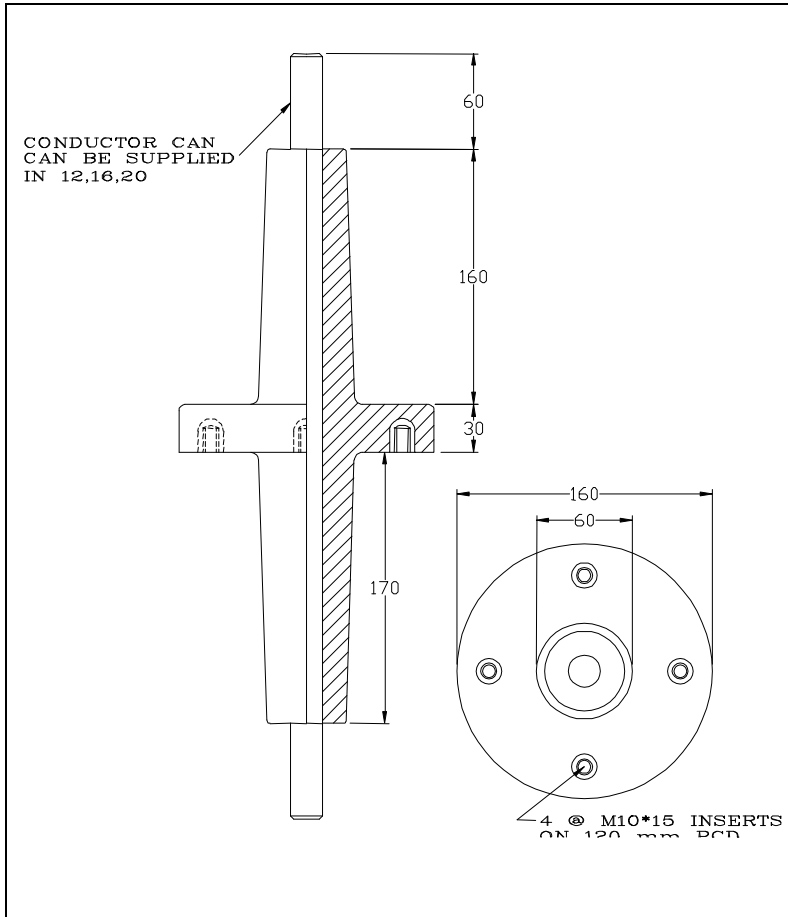




## FLANGED THROUGH BUSHING

### FTB 19 SERIES

Up to 24kV – 400A



#### Application

For use as an indoor air insulated through bushing. Suit cable box installations for switchgear or transformers.

#### Design

Moulded epoxy insulated part. Features insert mounting.

#### Standards

EMCP bushings meet the characteristics of AS1265, 1990 and relevant IEC standards.

#### Quality

Each bushing is put through stringent quality assurance in line with the EMC Pacific ISO9001 Quality Management System.

#### Ordering instructions

Bushings are supplied with a choice of current ratings; 250A, 400A, 630A. These are to be specified at order time.

Manufactured for EMC Pacific Pty Ltd by Electrical Moulded Components (Pty) Ltd. Import lead times may apply

Specification and product design are subject to change without notice. All Information is accurate at time of printing.

### Specification

Product No	FTB 19 - 16
Highest Voltage for Equipment (kV)	24 kV
Line Voltage (kV)	22 kV
Max Current Rating (A)	400 A
Impulse Withstand Voltage (kV)	125 kV
Dry Power Frequency Withstand Voltage (kV)	50 kV
Creepage (mm)	190 mm
Conductor size (Ømm)	16 mm