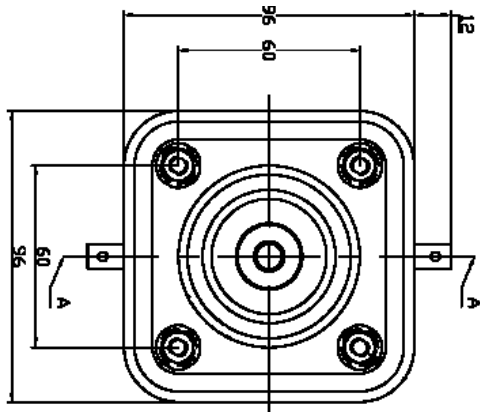




Separable Connector Bushings

FTB-DIN Series

Up to 24kV – 630A



Application

Designed for use in equipment insulated with oil using appropriately insulated connections. Typical applications include transformers and switchgear.

Design

Moulded PH-CEP* hydrophobic cycloaliphatic epoxy insulated and screened bushing with built in dead break primary connection.

Standards

These EMCP bushings meet the characteristics of AS2629, 1983 and IEEE 386 2006.

Quality

Each bushing is put through stringent quality assurance in line with the EMC Pacific ISO9001 Quality Management System.

Ordering instructions

Bushings are supplied fitted with plastic dust cap. To be used in conjunction with an appropriate DIN cable connector. Connectors are not sold by EMC Pacific.

Manufactured in Australia by EMC Pacific Pty Ltd, Dandenong, Victoria.

Specification and product design are subject to change without notice. All Information is accurate at time of printing.

Specification

*Permanent Hydrophobic Cycloaliphatic Epoxy Resin (patent applied)

Product No	FTB – DIN 400	FTB – DIN 630
Highest Voltage for Equipment (kV)	12-24kV	12-24kV
Max Current Rating (A)	400A	630A
Impulse Withstand Voltage (kV)	125 kV	125 kV
Dry Power Frequency Withstand Voltage (kV)	55 kV	55 kV
Partial Discharge at 16kV	<10pc	<10pc
Separable Connection	14mm Plug Type	M16 Screw Type
Conductor size (Ømm)	22 mm	25 mm